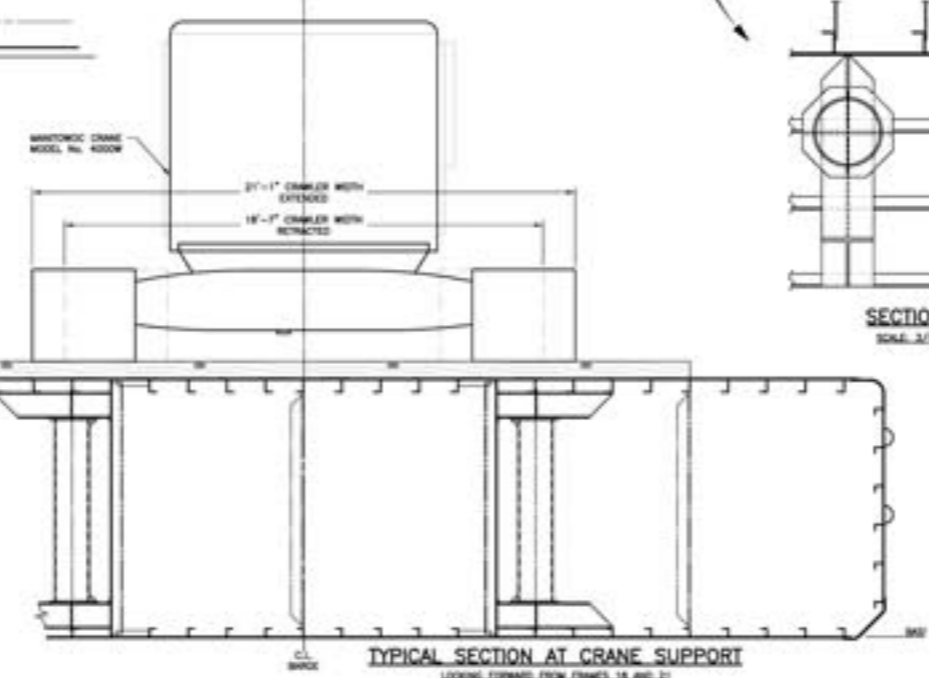
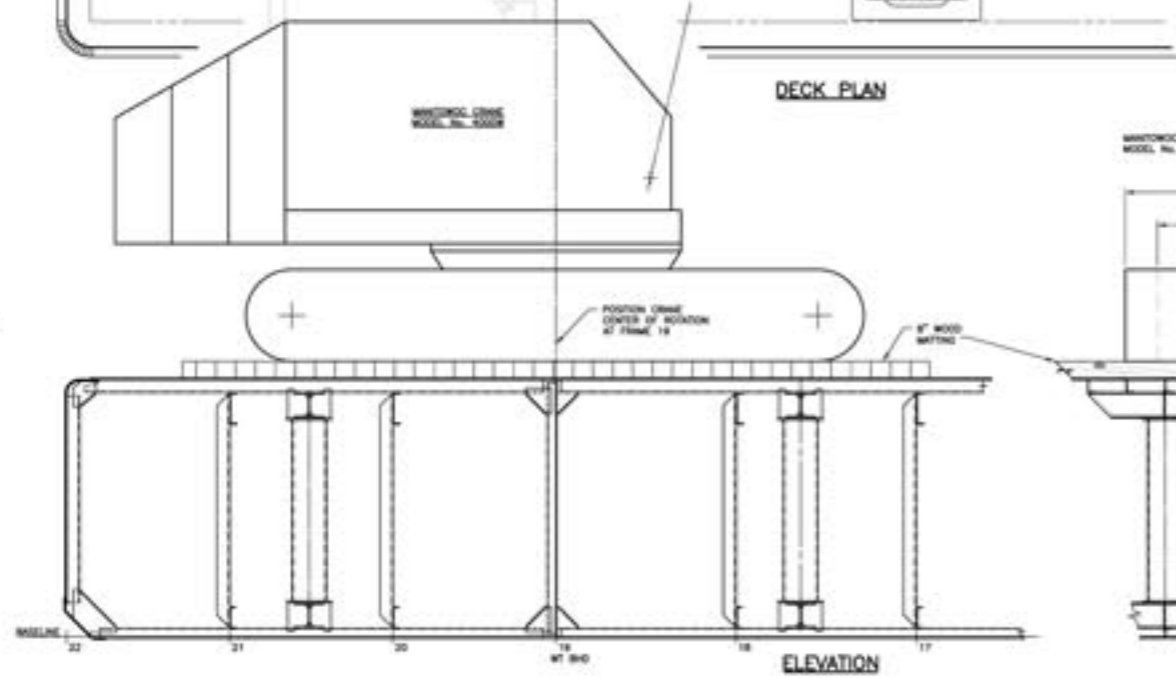
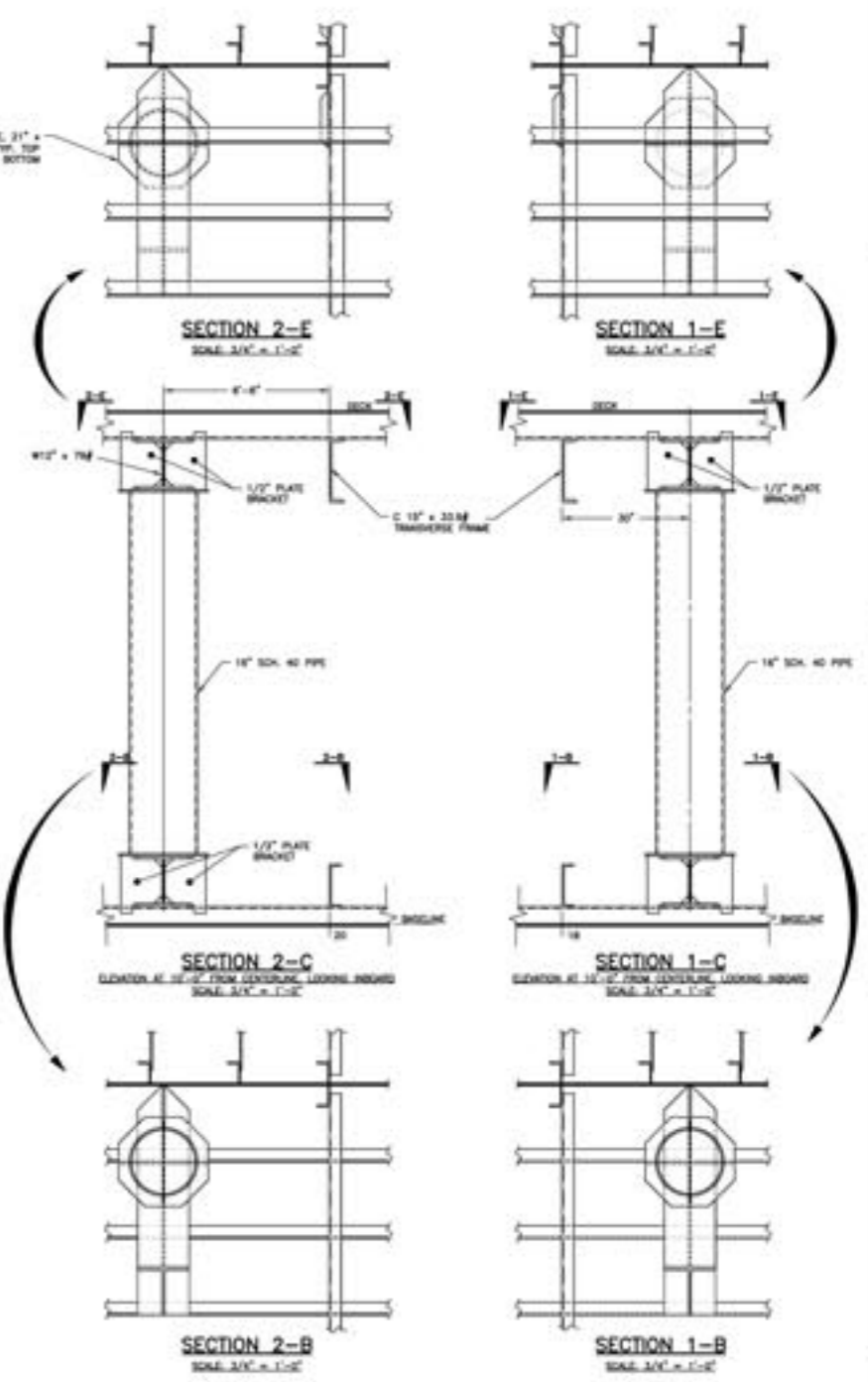
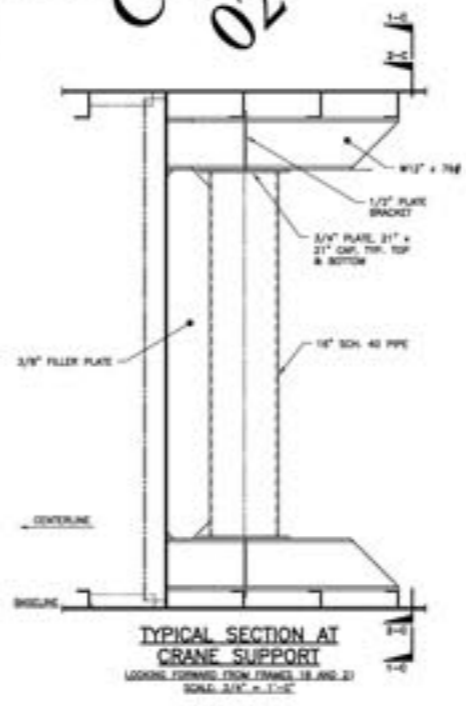
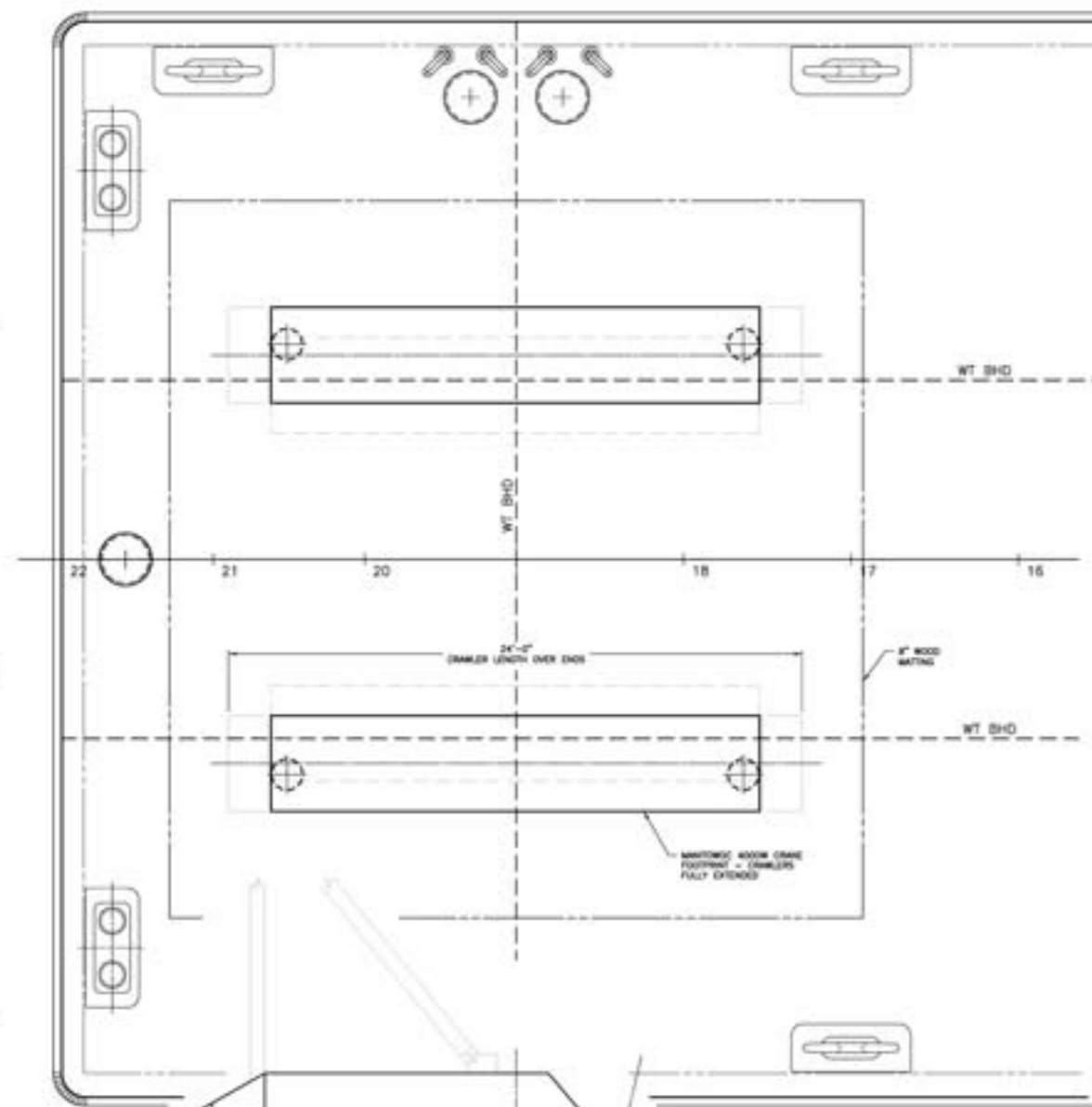


**BUILDER &
OWNER
COMMENT
02-19-09**

NO.	REVISIONS	DATE	BY
1	ISSUE FOR CONSTRUCTION	02/19/09	



NOTES
1. SUPPORT PEDESTALS SHOWN ARE PER OTHER DIRECTION.

PROJECT	HULL Nos. 188 & 189		
CLIENT	BASIC MARINE, INC		
SIZE	150' x 45' x 10' DECK BARGE		
SUPPORT PEDESTALS			
DWG NO.	08031	REV. NO.	181-01
SCALE	3/8" = 1'-0"	SHEET	1 OF 1